

Mega Vacuum Filter

This particular vacuum filter is made by steel Hosing, Clip on Bracket and filter element available in PE material or paper. This enable the element can be blown of with compressed air before replaced. This range of Mega filters are useful in conjunction with the larger pumps need highest filter capacity.



Dimensional Information / Order no.

VFS34 - P

①

②

① Model

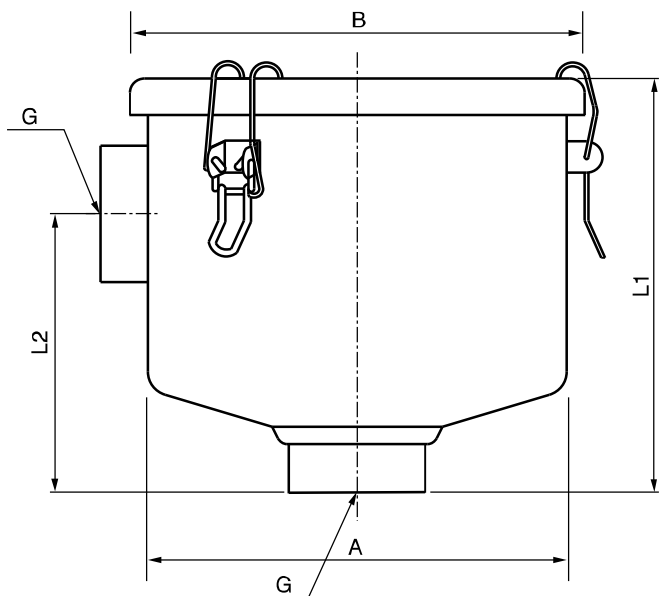
- **VFS34**
- VFS01
- VFS02
- VFS03

② Element material

- no mark - paper
- **P** - polyester(PE)

Model	ØA	ØB	L1	L2	G
VFS34	129	147	111	68	NPT 3/4"
VFS01	129	147	111	68	NPT 1"
VFS02	173	187	172	118	NPT 1 1/2"
VFS03	194	222	257	127	NPT 2"

[Measure Unit : mm]



Operating specifications

Model	Port Size	Internal Volume (cm ³)	Removal efficiency (μ)	Material	Working temperature	Weight (kg)	Filter Element Model	
							paper	polyester
VFS34	NPT 3/4"	1200		Steel paper or polyester	-26 °C ~ 104 °C	1	VFSE34	VFSPE34
VFS01	NPT 1"	1200	paper : 2 polyester : 5			1	VFSE34	VFSPE34
VFS02	NPT 1 1/2"	3000				2.1	VFSE02	VFSPE02
VFS03	NPT 2"	6500				4.9	VFSE03	VFSPE03